

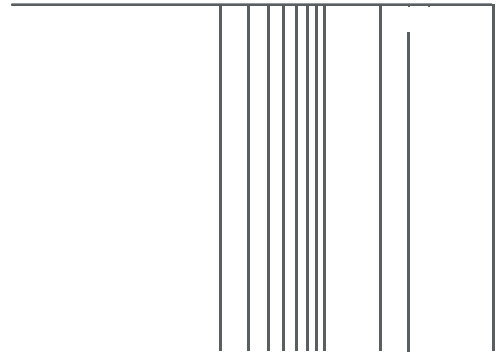


# GBU2506L

É È€

## RATINGS AND CHARACTERISTICS CURVES 7\$ ° & XQOHVV RWKHUZZLVH QRWHG

,!\$HVDJHYRUDUGUJHWS



Current Derating, Case

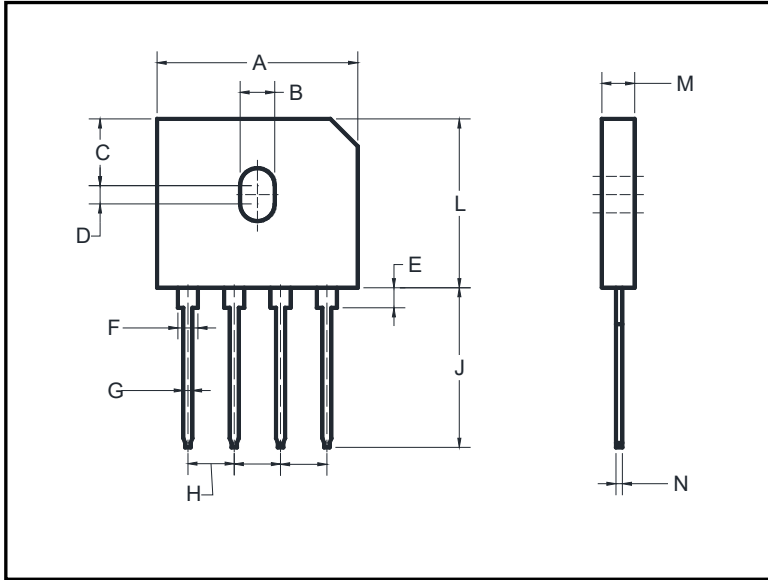
Typical Junction Capacitance

50

Typical Reverse Current

# GBU2506L

3 \$ & . \$ \* ( 2 8 7 / , 1 ( ' , 0 ( 1 6 , 2 1 6



GBU		
	3	4.10
	7.4	
	1.65	2. 6
	2.25	2. 5
	2.05	2.
	1.02	1. 7
	4.83	5. 3
J	17.0	18.
L	18.3	18.
M	3.30	3. 6
N		

